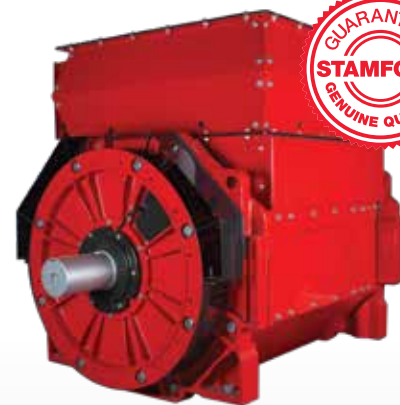


STAMFORD® P80



Model	P80 LV	P80 MV	P80 HV
Maximum continuous rating at 50Hz (kVA)	3,900	4,200	3,800
Maximum continuous rating at 60Hz (kVA)	4,400	5,100	4,700

Specifications			
Voltage Range	380-690	3,300-4,160	6,000-13,800
Poles	4		
Technology	Wire Wound	Bar Wound	Bar Wound
AVR	Digital		
Voltage sensing	3-Phase		
Bearing Arrangement	Double		
SAE Adaptors	0, 00		
Terminals	6		
Material Insulation Class	H	H	F
Excitation System	PMG		
Ingress Protection	IP23		
Temperature monitoring	Winding RTDs		
Connection with other machines	Paralleling capability		

Optional Features	
Bearing Arrangement	Single*
Ingress Protection	IP23 Air Filters
Temperature monitoring	Thermistors
Environmental protection	Anti-condensation Heaters

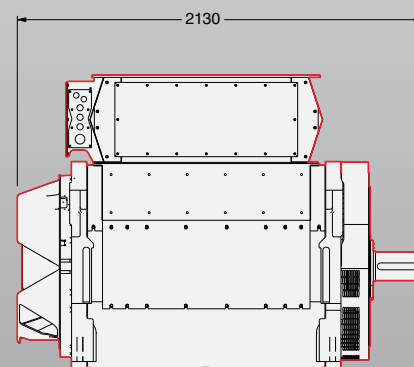
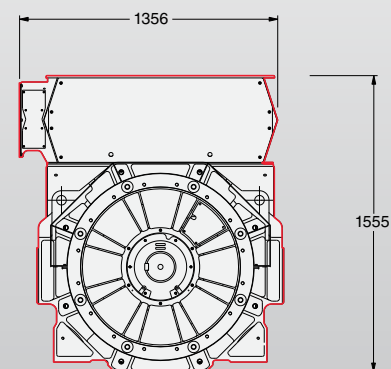
Designed For			
Power Plant	●	●	●
Grid Code Compatible	●	●	●
Marine Propulsion	●		
Marine Auxiliary	●		
Oil & Gas Auxiliary	●		
Combined Heat & Power	●	●	●
Critical Protection & UPS	●	●	●
Continuous Power & Standby	●	●	●

Prime Movers			
Diesel Engine	●	●	●
Gas Engine	●	●	●
Gas Turbine	●	●	●
Steam Turbine	●	●	●

* Not for cores W, X, Y

DIMENSIONS

Drawings represent standard design
All dimensions in millimetres (mm)



Low Voltage

2,265 - 4,770 kVA

High Voltage

2,290 - 5,080 kVA