

# STAMFORD®

# S0



Model	S0
Maximum continuous rating at 50Hz (kVA)	30
Maximum continuous rating at 60Hz (kVA)	36

Specifications	
Voltage Range	380-480
Poles	4
Technology	Wire Wound
AVR	Analogue
Voltage sensing	2 Phase
Bearing Arrangement	Single
SAE Adaptors	3, 4, 5
Terminals	12
Material Insulation Class	H
Excitation System	Self Exciting
Ingress Protection	IP23

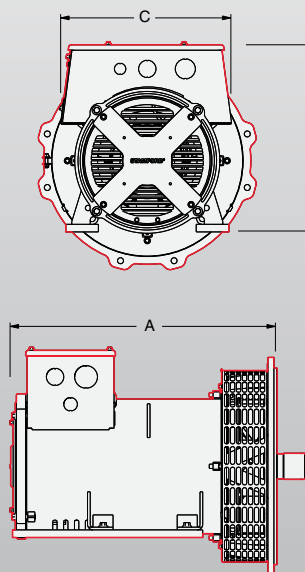
Optional Features	
Excitation System	Auxiliary Winding on SOL2 Models
Output configurations	1 phase re-connectable
Environmental protection	Anti-condensation Heaters
	Epoxy Gel Coat

Designed For	
Oil & Gas Auxiliary	●
Telecommunications	●
Mobile Construction	●
Combined Heat & Power	●
Critical Protection & UPS	●
Continuous Power & Standby	●

Prime Movers	
Diesel Engine	●
Gas Engine	

## DIMENSIONS

Drawings represent standard design  
All dimensions in millimetres (mm)



Model	A	B	C
SOL1	405-485	350	314
SOL2	495-545	405	345

**3 YEAR WARRANTY**